

## HEALTH AND CARE

product code: **57-94/1; 57-94/1N**; - design: **Laura Silvestrini**



### Description

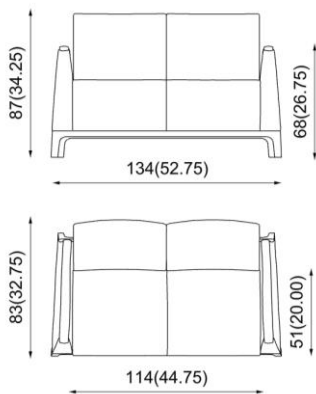
**Two-seater sofa. Backrest with shaped padding. Armrests with wooden profile. Removable seat for easy cleaning.**

Divano a 2 posti. Schienale a imbottitura sagomata. Braccioli con profilo in legno. Sedile rimovibile per facile igienizzazione.

2-Sitzer-Sofa. Rückenlehne mit Unterstützung im Lendenbereich. Armlehnen mit Holzprofil. Abnehmbare Sitzfläche für einfache Reinigung

Canapé 2 places. Dossier avec rembourrage façonné. Accoudoirs avec profil en bois. Assise amovible pour une hygiénisation facile..

### Dimensions (cm / in)



**Fabric need** for 1 pc. > **530**; for 2 + pc. > **530** (cm / h 140)  
**Fabric need** for 1 pc. > **208,75**; for 2 + pc. > **208,75** (in / h 55,25)

**Weight** for 1 pc. > **53,6** (kg) / **118,16** (lbs)

**Volume** for 1 pc. > **1,125** > 1 x box (m<sup>3</sup>)

### ★ Certifications

On request



### Structures



Beech / Faggio  
Buche / Hêtre



Walnut / Noce  
Nussbaum / Noyer

**Upholstery/Wood colour** see fabric/leather and wood chart

### Accessories



gliders



waterproof



removable



utility



anti decubitus