

HEALTH AND CARE

product code: **30-15/1M-** design: **PiavalLab**



Description

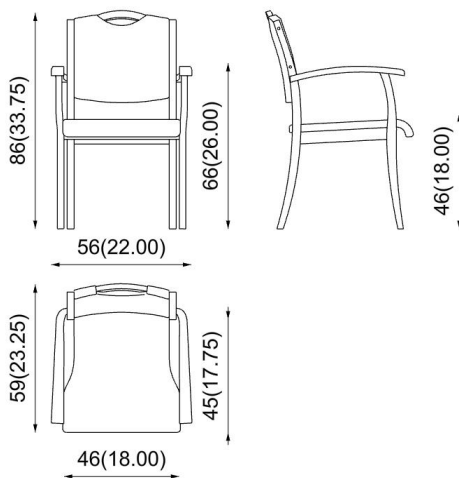
Chair with armrests. Padded seat and back, grip for handling on backrest.

Sedia con braccioli. Seduta e schienale imbottiti, schienale con presa per la movimentazione.

Stuhl mit Armlehnen. Sitzfläche und Rückenlehne gepolstert, Rückenlehne mit Griffleiste.

Chaise avec accoudoirs. Assise et dossier rembourrés, dossier avec prise pour la manutention.

Dimensions (cm / in)



Stackable



Fabric need for 1 pc. > **76**; for 2 + pc. > **61** (cm / h 140)
Fabric need for 1 pc. > **29,75**; for 2 + pc. > **28** (in / h 55,25)



Weight for 1 pc. **9,2** (kg) / **20,28** (lbs)



Volume for 1 pc. > **0,395** > 2 x box (m³)



Certifications

On request



Structures



Beech / Faggio
Buche / Hêtre

Upholstery/Wood colour see fabric/leather and wood chart

Accessories



wheels



gliders



waterproof



removable



utility