

HEALTH AND CARE

product code: **30-15/1-** design: **PiavalLab**



Description

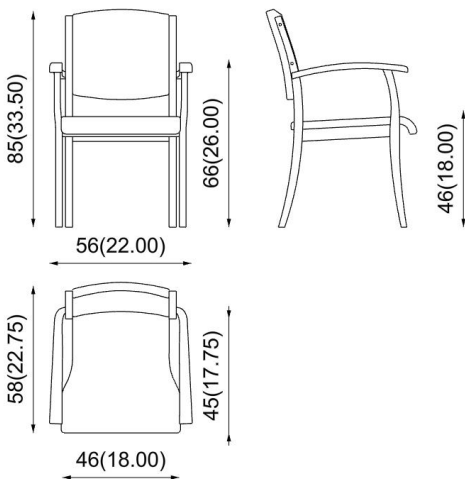
**Chair with armrests.
Padded seat and back.**

Sedia con braccioli. Seduta e schienale imbottiti.

Stuhl mit Armlehnen. Sitzfläche und Rückenlehne gepolstert.

Chaise avec accoudoirs. Assise et dossier rembourrés.

Dimensions (cm / in)



Stackable



Fabric need for 1 pc. > 76; for 2 + pc. > 61 (cm / h 140)
Fabric need for 1 pc. > 30; for 2 + pc. > 24,25 (in / h 55,25)



Weight for 1 pc. 9 (kg) / 19,84 (lbs)



Volume for 1 pc. > 0,395 > 2 x box (m³)



Certifications



On request



Structures



Beech / Faggio
Buche / Hêtre

Upholstery/Wood colour see fabric/leather and wood chart

Accessories



wheels



gliders



waterproof



removable



utility