

HEALTH AND CARE

product code: **16-93/1** - design: **Piaval Lab**



Description

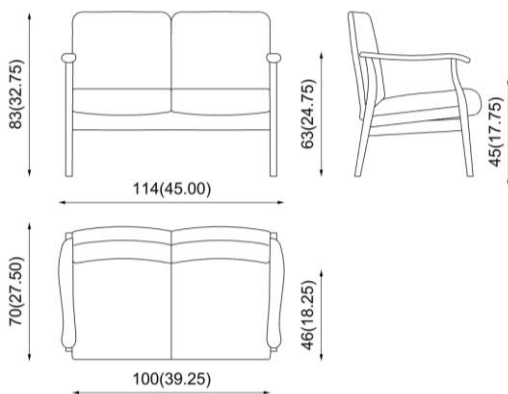
Two-seater sofa with shaped, padded backrest for maximum comfort. Armrests with ergonomic hand grip.

Divanetto 2 posti con schienale a imbottitura sagomata per il massimo comfort. Braccioli con impugnatura ergonomica.

2-Sitzer-Sofa, Rückenlehne mit geformter Polsterung für höchsten Komfort. Armlehnen mit ergonomischem Knauf.

Petit canapé 2 places avec dossier et rembourrage façonné pour le maximum de confort. Accoudoirs avec poignée ergonomique.

Dimensions (cm / in)



Fabric need for 1 pc. > 300; for 2 + pc. > 300 (cm / h 140)
Fabric need for 1 pc. > 118,25; for 2 + pc. > 118,25 (in / h 55,25)



Weight for 1 pc. > 26,2 (kg) / 57,76 (lbs)



Volume for 1 pc. > 0,808 > 1 x box (m³)



Certifications

On request



Structures



Beech / Faggio
Buche / Hêtre

Upholstery/Wood colour see fabric/leather and wood chart

Accessories



wheels



gliders



side panels



waterproof



removable



anti decubitus



utility